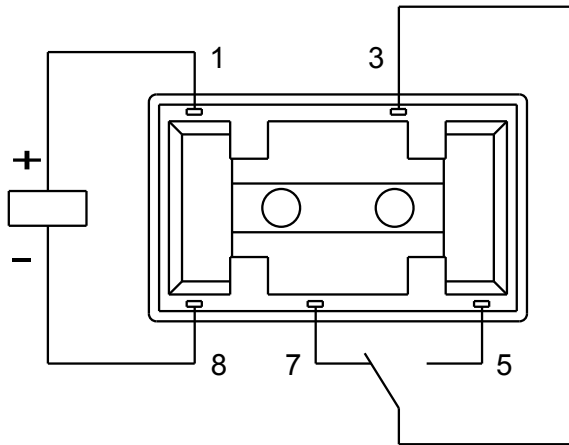
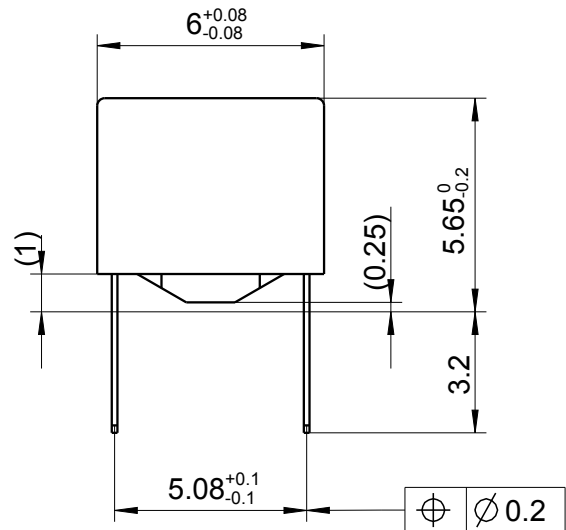
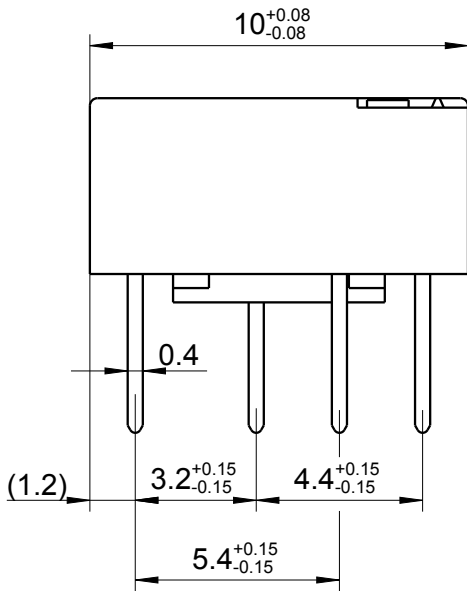


LOC	DIST	REVISIONS					
		P	LTR	DESCRIPTION	DATE	DWN	APVD
HJ	-		A2	REVISED PER ECO-11-005150	25MAR2011	UKo	AK
			A3	REVISED PER ECR-13-014508 (TE-Logo)	16SEP2013	UKo	AK



Relay - bottom view



XX = Relay type
 zz = nominal voltage
 YYWW = Date code

RELEASED FOR PUBLICATION

ALL RIGHTS RESERVED.

THIS DRAWING IS UNPUBLISHED.

© COPYRIGHT 2008

DIMENSIONS: mm	DWN UKo 9193	18JUN2008	MATERIAL	-	FINISH	-
	CHK HD 9121	18JUN2008	TE Connectivity			
TOLERANCES UNLESS OTHERWISE SPECIFIED: DIN 7168-m	APVD HD 9121	18JUN2008				
0 PLC ±	PRODUCT SPEC	-	NAME IMC-Relay THT (1 Form C) Dimensions			
1 PLC ±	APPLICATION SPEC	-				
2 PLC ±	WEIGHT	-	SIZE	A4	CAGE CODE	00779
3 PLC ±			DRAWING NO	C-1462042-1		RESTRICTED TO
4 PLC ±						
ANGLES ±						
	CUSTOMER DRAWING			SCALE	5:1	SHEET 1 OF 1
						REV